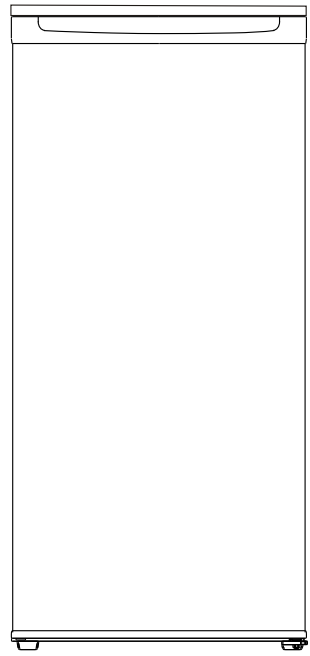




REFRIGERATOR



744240 INSTRUCTION MANUAL

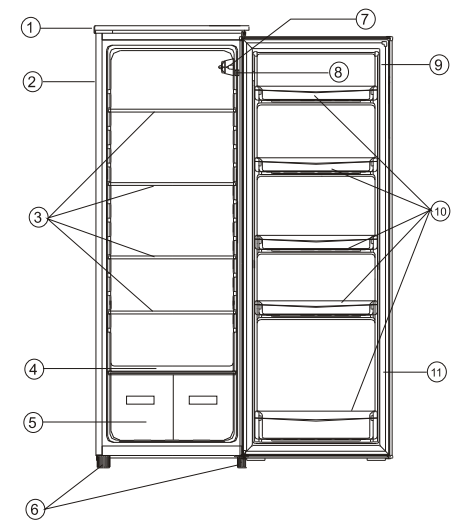
2 Year Warranty

CONTENTS

Parts and Features	2
Instructions for Installation	3
Cautions for Safety	4
Operation	5
Cleaning and Maintenance	6
Changing the Light Bulb	7
Reversing the Door	7
Troubleshooting	9
Warnings	10
Important Disposal Instructions	11
R600a Refrigerant	11

- Please read this users operation manual before using.
- Because of product improvement, your refrigerator may vary from this user manual.

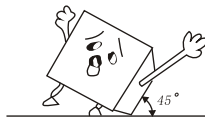
Parts and Features :



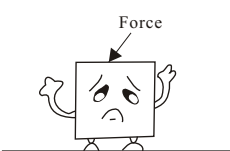
- ① Worktop
- ② Cabinet
- ③ Wire Shelves
- ④ Crisper Cover
- ⑤ Crisper Box
- ⑥ Adjustable Feet
- ⑦ Thermostat
- ⑧ Door Switch
- ⑨ Door Assembly
- ⑩ Door Balconies
- ⑪ Door Gasket

Instructions for Installation :

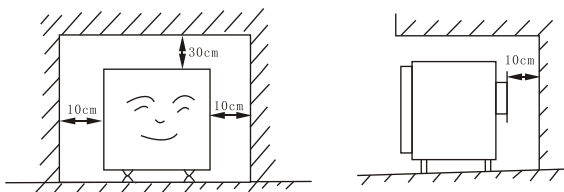
- Do not tilt the refrigerator more than 45°.



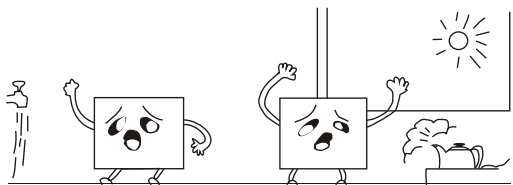
- To ensure the cabinet does not become damaged, do not apply force to any part of the refrigerator such as the condenser, the door and its handle. Damage to the cabinet will result in poor refrigeration performance.



- For optimum performance ensure correct ventilation space around the refrigerator.



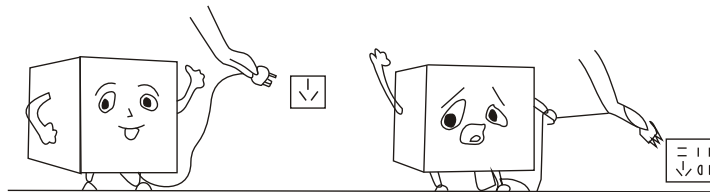
- Avoid direct sunlight, heat sources and very moist or humid places. Do not install this refrigerator near flammable, combustible or explosive materials.



- Install the refrigerator on a strong, level floor. Do not install on soft materials such as foam or plastic.
- The appliance should be left for 2 hours after installation before it is turned on, in order to allow the refrigerant to settle.
- Avoid installing the appliance in very cold conditions as the performance of the appliance will be impaired.

Cautions for Safety :

- Ensure the voltage in the power socket is the same as the rated voltage of this appliance.
- The power plug should have its own separate outlet socket in order to prevent the outlet socket from being overloaded by other plugs.



- Do not splash water on to the refrigerator, this may cause a malfunction or electric shock.
- Do not store flammable materials such as petrol, LP gas and glue etc, inside the refrigerator.

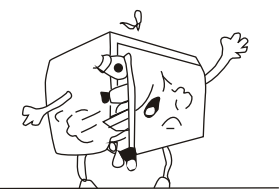


- If the power supply cord is damaged, it must only be replaced by the manufacturer, its service agent or similarly qualified persons.
- Under no circumstances should you attempt to repair the machine yourself. Repairs carried out by inexperienced persons may cause injury or serious malfunctioning. Contact your local Service Centre.

Operation :

- When operating the refrigerator for the first time, set the thermostat dial at 3, connect to the electricity and turn it on without loading any food. Wait for the appliance to become cold, usually this takes 2 or 3 hours. Then set the thermostat dial to the desired setting and place foods into the refrigerator.
- The temperature of the refrigerator can be adjusted by turning the thermostatic dial. Setting of the thermostat dial at 3~4 is the most suitable for general operation. The higher the number, the colder the temperature.

- Do not overload the refrigerator. Where possible open the door less often in order to maintain the temperature of the refrigerator and save electricity.

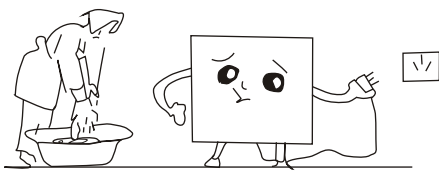


Cautions :

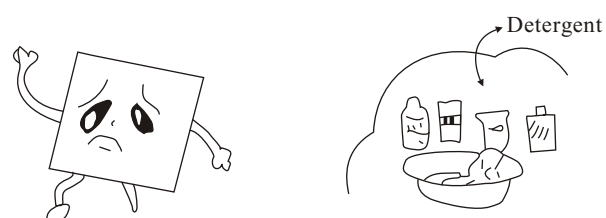
- If the power supply is turned off for any reason, wait ten minutes before switching the appliance on again.

Cleaning and Maintenance:

1. When cleaning the refrigerator, first disconnect the appliance from the power supply by removing the plug. Wipe the appliance carefully with a cloth and neutral cleaning agent, then wipe it clean with fresh water.



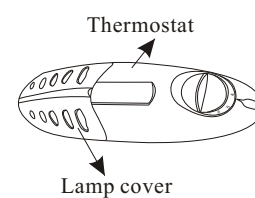
2. Never use acids, chemical solutions, thinners or the like to clean the refrigerator because they may damage the paint work and plastic components of the refrigerator.



6

Changing the Light Bulb:

1. Hold the lamp cover and push toward the inside of the cabinet.
2. Remove the lamp cover.
3. Unscrew the bulb and screw in a new 10W bulb.
4. Hold the lamp cover and put the hook of the lamp cover to click into the thermostat box.
5. Pull the lamp cover forward to click into the thermostat box.



Reversing the Door:

The refrigerator has the capability of opening the door from either the left or the right side. The unit is delivered to you with the door opening from the left side. To change the opening direction, please follow these instructions.

Note: Before reversing the door, unplug the appliance from the mains or disconnect the electrical power supply.

7

1. Remove the screws (6) which fix the worktop(7) to disassembly the worktop.
2. Remove the two screws (1) that hold the upper hinge (5) (right side) to the frame. Take away the upper hinge (5).
3. Lift the door and place it on a padded surface to prevent scratching it.
4. Remove the two screws (8) that hold the lower hinge (2) and make sure to remove the lower hinge (2).
5. Remove the left front leg (4) and transfer it to the right side.
6. Before placing this lower hinge (2), remove the bolt-pin (9) and reverse the direction of the lower hinge (2). Then install the lower hinge (2) onto the left side of the lower frame with two screws (8).
7. Insert the bolt-pin (9) to the lower hinge (2).
8. Set the door into place making sure the door seals at the lower hinge (2).
9. While holding the door in the closed position secure the upper hinge (5) in the top frame of left side with two screws (1). Please remember that do not tighten the two screws (1) until the top of the door is levelled with the counter top.
10. Install the worktop onto the top of the cabinet with screws (6).

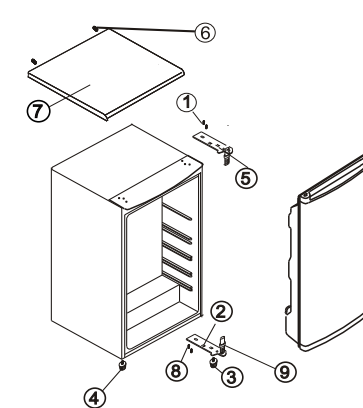


FIGURE 1
Door opening from left side

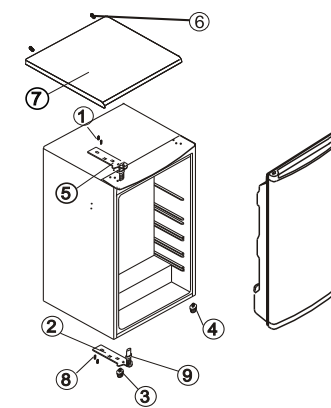


FIGURE 2
Door opening from right side

8

Troubleshooting:

1. When the refrigerator does not operate ensure that:
 - The electric power is supplied and the voltage is normal.
 - The fuse or circuit breaker is not blown out or tripped.
 - The power plug is plugged in firmly in the outlet socket.
2. If the refrigerator is not cool enough ensure that:
 - The thermostat is at the correct setting.
 - There is enough space around the refrigerator.
 - The doors are not opened too frequently and for too long.
 - The refrigerator is not overloaded and hot food has not been placed in the refrigerator.
 - The refrigerator is not in direct sunlight or placed near a heat source.
3. If the food in the refrigerator is freezing ensure that:
 - The thermostat is at the correct setting.
 - There is not too much food in the refrigerator.
4. When the refrigerator operates too noisily ensure that:
 - The refrigerator is properly leveled.
 - The refrigerator is not touching objects around it.
 - The containers or solid packages stored inside are not touching each other.

Note:

- During periods of high humidity, moisture may form on the surfaces of the refrigerator. This is not a fault and may be wiped away.
- If after checking the above suggestions your refrigerator is still not functioning properly, please contact Customer Services without delay.

9

Warnings:

- * This appliance is not intended for use by persons (including children) with reduced physical, sensory, or mental capabilities, or lack of experience and knowledge, unless they have been given supervision or instruction concerning use of the appliance by a person responsible for their safety.
- * Children should be supervised to ensure that they do not play with the appliance.
- * If the supply cord is damaged, it must be replaced by the manufacturer, its service agent or similarly qualified persons in order to avoid a hazard.
- * Keep ventilation openings, in the appliance enclosure or in the built-in structure clear of obstruction.
- * Do not use mechanical devices or other means to accelerate the defrosting process, other than those recommended by the manufacturer.
- * Do not damage the refrigerant circuit.
- * Do not use electrical appliances inside the food storage compartments of the appliance, unless they are of the type recommended by the manufacturer.
- * Do not attempt to repair or replace any part of the refrigerator unless it is specially recommended in this manual. Refer all other servicing to a qualified technician, or contact the after sales support line for advice on repair or replacement. It is hazardous for anyone other than an Authorised Service Person to service this appliance. In Queensland - the authorized Service Person MUST hold a Gas Work Authorisation for hydrocarbon refrigerants, to carry out Servicing or repairs which involve the removal of covers.

10

Important Disposal Instructions:



As a responsible retailer we care about the environment. As such we urge you to follow the correct disposal procedure for your product and packaging materials, this will help conserve natural resources and ensure that it is recycled in a manner that protects health and the environment. You must dispose of this product and its packaging according to local laws and regulations. Because this product contains electronic components and sometimes batteries, the product and its accessories must be disposed of separately from household waste when the product reaches its end of life. Contact your local authority to learn about disposal and recycling. The product should be taken to your local collection point for recycling. Remove the plug and ensure that any locks or catches are removed, to prevent young children being trapped inside.

R600a Refrigerant:

This appliance may contain a small quantity of environmentally friendly, but flammable, non-synthetic R600a refrigerant:

- * Upon opening and installing your product, check that the tubing of the refrigerant circuit is not damaged during transportation.
- * Leaking refrigerant may cause eye injuries or ignite.
- * The room for installing appliance must be at least 1m per 8g of refrigerant. The amount of refrigerant in the appliance can be found on the rating plate the back of the unit.
- * Keep ventilation openings in the appliance enclosure or in the built-in structure clear of obstruction.
- * Do not damage the refrigeration circuit.

If you are unsure of the refrigerant type check the rating plate on the back of the unit.

11