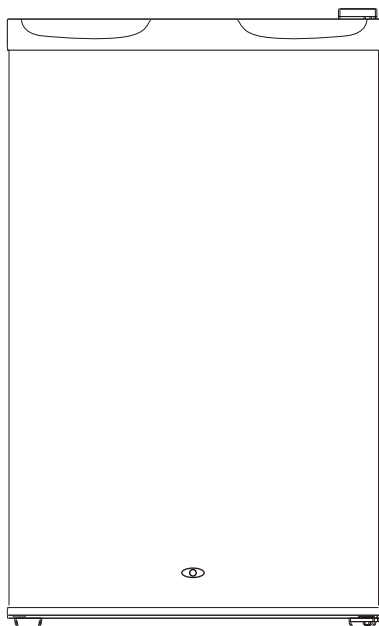


Nero[®]

REFRIGERATOR



744116

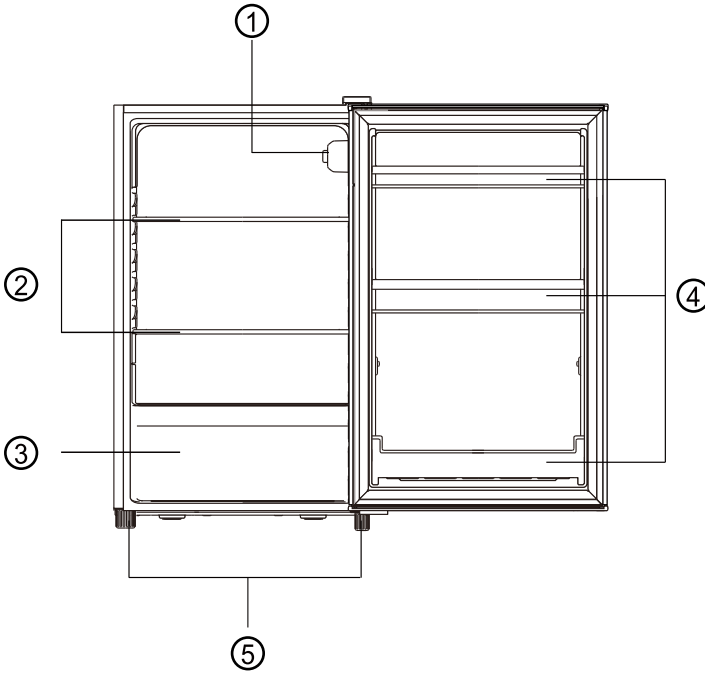
7441161

INSTRUCTION MANUAL

2 Year Warranty

1.Name of parts

PARTS AND FEATURES

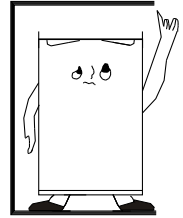


- 1.Thermostat
- 2.Fridge Shelves
- 3.Fridge Drawer
- 4.Door rack
- 5.Leveling Feet

2. Correct positioning

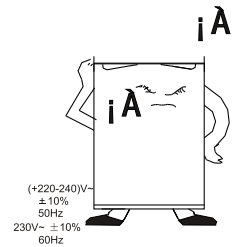
Clearance space required for ventilation

Ventilation is required around the refrigerator to help with the dissipation of heat, operate at maximum efficiency and at lower power consumption. The recommended clearance space should be at least 100mm for all sides and 200mm from the top.



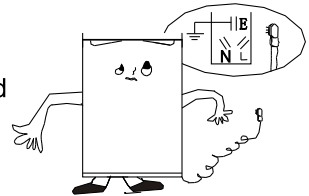
Power Supply

The refrigerator is designed to only operate on a power supply of 220/240 volts 50 hertz. Please make sure it is connected to a power point with the correct earthed three-point socket.



Power Line Cord

The power cord should not be lengthened or folded while in operation. Please make sure that the cord is accessible and any excess cord is kept close to the compressor at the back of the refrigerator. Make sure that the power cord isn't damaged before plugging into power socket.



Protection from Moisture

Avoid placing the refrigerator in places where heavy moisture is present. This is to minimise the possibility of rust to any metal parts.



2. Correct Positioning

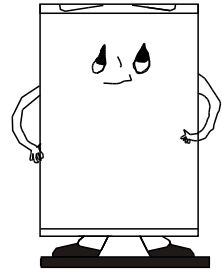
Protection from Heat

The refrigerator should not be placed near any kind of heat source or in direct sunlight.



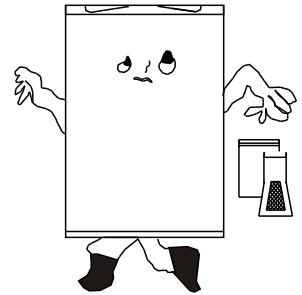
Stable positioning

Please ensure that the refrigerator is placed on a flat, solid floor. It should not be placed on any soft surface. If the refrigerator is not on a stable surface adjust the feet on the bottom.



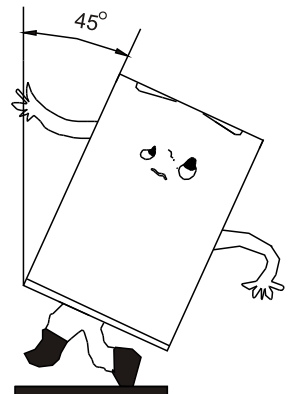
Keep Away from Danger

Do not place the refrigerator near combustible or flammable substances such as, gas, petrol, alcohol, lacquer or oils.



Moving

When moving or relocating the refrigerator, to try avoid having the refrigerator tilt more than 45 degrees. At no point should the refrigerator be turned upside down.



3.Cautions

- ★ Water contained in food or getting into air inside the refrigerator by opening doors may form a layer of frost inside, It will weaken the refrigerator when the frost is thick, while it is more than 2mm thick, you should defrost.
- ★ Defrosting in freezer chamber is operated manually. Before defrosting, take the food, the ice tray and the shelf out into the cold storing chamber temporarily then set the knob of the temperature regulator to position "0" (where the compressor will stop working) and leave the door open until ice and frost dissolve thoroughly deposited at the bottom drip tray of the freezer chamber. Take out the drip tray and discard the water carefully. In the case of speeding up the defrosting, you may put a bowl of warm water (about 50 °C) into the freezer chamber, and be sure to set the knob of the temperature regulator to original position after defrosting.
- ★ It's inadvisable to heat the freezer chamber directly with hot water or hair dryer while defrosting to prevent deformation of the inner case.
- ★ It's also inadvisable to scrape of ice and frost or separate food from the containers which have been congealed together with the food with sharp tool or wooden bars, so as not to damage the inner casing or the surface of the evaporator.
- ★ If the supply cord of this appliance is damaged, it must only be replaced by a repair shop appointed by the manufacturer, because special purpose tools are required.

4. Temperature control

- The control for regulating the temperature in the refrigerator compartment is located on the upper right hand side of the compartment (Below image). The higher the number on the dial, the colder the temperature in the refrigerator compartment.



- The first time you turn the unit on, set the temperature control to the coldest position (7). After 24 to 48 hours, adjust it to the setting that best suits your needs – a middle setting (at position 3–4) should be appropriate in most cases for general operation.
- To turn the appliance off, first turn the temperature control to the minimum position, which will stop the cooling cycle, then disconnect the power supply cord from the wall outlet in order to shut off power to the unit.

NOTE: The unit may not work at the set temperature on particularly hot days, or if the door is opened too frequently. **To ensure efficient operation, do not open the door unnecessarily or for prolonged periods of time.**

NOTE: If the unit is unplugged, turned off or has lost power, you must wait 10 minutes before restarting the unit. If you attempt to restart before this time delay, the unit will not start.

5.Changing the reversible door

This refrigerator has been built with the door hinges on the right. If you wish to change the opening direction, follow the instructions below:

1. Remove the upper hinge cover(6) first.
2. Remove the two screws (1) that hold the upper hinge (5) (right side) to the frame. Take away the upper hinge (5).
3. Lift the door and place it on a padded surface to prevent scratching it.
4. Remove the two screws (8) that hold the lower hinge (2) and then remove the hinges (2).
5. Remove the left front leg (4) and transfer it to the right side.
6. Remove the hole cover plate(7) to the right side.
7. Before placing this lower hinge(2), remove the bolt-pin (9) and reverse the direction of the lower hinge(2). Then install the lower hinge (2) onto the left side of the lower frame with two screws (8).
8. Insert the bolt-pin(9) to the lower hinge (2).
9. Set the door to its place making sure the door seat at the lower hinge(2).
10. Hold the door in the closed position and secure the top hinges (5) to the top frame of \the left side with the two screws (1).
Do not over tighten the two screws. Only tighten until the top of the door is levelled with the counter top.
11. Install the upper hinge cover(6) on the upper hinge.

5. Changing the reversible door

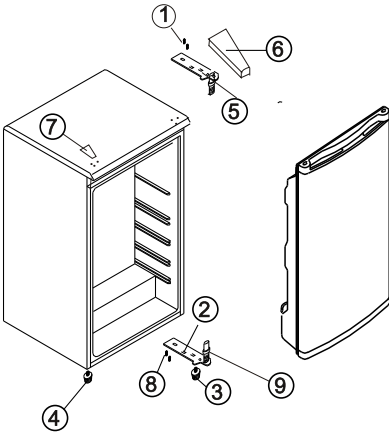


FIGURE 1

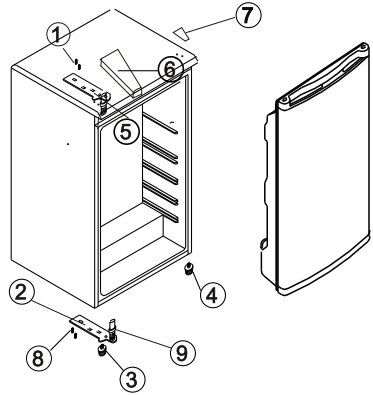


FIGURE 2

FIGURE 1 - REPRESENTS POSITION OF COMPONENTS PRIOR TO DOOR REVERSAL.

FIGURE 2 - REPRESENTS POSITION OF COMPONENTS AFTER DOOR REVERSAL.

6.Maintenance

- ★ The refrigerator should be cleaned and maintained once a month.
- ★ The power plug should always be disconnected from the power outlet before any cleaning or maintenance is carried out.
- ★ For cleaning, do not use hot water, petrol, alcohol, kerosene, washing powder, cleanser, alkaline detergent, acid or chemical clothes. Never directly spray the refrigerator with water. This could cause rust or weaken the insulation.
- ★ Wipe the inner, outer and accessories of the refrigerator only with luke warm water. For heavier cleaning, use a small amount of washing detergent in luke warm water, then wipe down with water and dry with a clean cloth.
- ★ Make sure that the rubber seals on the door are clean and not damaged.
- ★ Avoid leaving oils and solubles on the plastic parts of the refrigerator. Try to wipe up as it is stain. Not doing so could easily age the plastic. Bad odours can also occur if not cleaned regularly.

7. Troubleshooting

1. When the refrigerator does not work.
 - Check if there is a power failure.
 - Check if the power plug is plugged into the power outlet.
 - Check that the fuse has not blown.
2. When the refrigerator is cooling excessively.
 - The temperature control dial may be set too high.
3. When the refrigerator is not cooling sufficiently.
 - You may have put something hot in.
 - Allow it to cool down.
 - There is too much food in the refrigerator.
 - The door may not have been closed properly.
 - The door gaskets may be damaged.
 - The door gasket/seals may be damaged.
 - The refrigerator may not be well ventilated.
 - There maybe Insufficient clearance between the refrigerator and surrounding walls.
 - The temperature control dial may not be set properly.
4. While defrosting, water overflows the refrigerator and onto the floor.
 - Check that the drain pipe and the drain hose are not clogged.
 - Check that the drain pan is housed properly.
5. When condensation form on the outside of the refrigerator.
 - Condensation may form on the outside when the humidity is high such as during a wet season. This is the same result as the condensation formed when chilled water is poured into a glass.
 - It does not, therefore, indicate a failure, wipe dry with a dry cloth.
6. When you hear a sound like water flowing.
 - A sound like water flowing is the refrigerant flowing.
 - It does not Indicate a malfunction.
7. When the cabinet's side panel heats up.
 - The side panel of the cabinet will heat up when the door is opened or closed frequently, when starting the unit and when the unit operates in summer with high ambient outside temperature, In such case, do not touch the panel, it results from the dissipation of the heat from inside the cabinet, and it does not mean that something is wrong with the refrigerator.

8. Technical specifications

- * For the detailed technical specifications, please refer to the nameplate at the back of the refrigerator.
- * Specifications are subject to change without prior notice.

R600a Refrigerant Warning

- This appliance contains a small quantity of R600a refrigerant which is environmentally friendly, but flammable. It does not damage the ozone layer, nor does it increase the greenhouse effect.
- During transportation and installation, ensure that the tubing of the refrigerant circuit is not damaged.
- Leaking refrigerant can ignite and may damage the eyes.
- In the event any damage does occur, avoid exposure to open fires and any device which creates a spark. Disconnect the appliance from the mainspower.
- Thoroughly ventilate the room in which the appliance is located for several minutes.
- The room for installing the appliance must be at least 1 cubic metre per 8 grams of refrigerant. The refrigerant quantity contained in this appliance is noted on the Rating Plate of the appliance.